

SAME HEIGHT GUARANTEE

GERMAN TYPE
JAPAN TYPE

NEW



ADJUSTING METHOD

1. FIXED COLLAR
2. TURN BY WRENCH TO GET NO.
0, 1, 2, 3, 4. TO HAVE CLAMPING FORCE

CLAMPING FORCE CHART

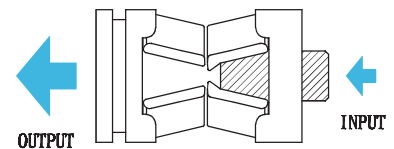
ORDER NO.	SCALE				
	4	3	2	1	0
VQC-100	-	30KN	21KN	12KN	6KN
VQC-125	-	40KN	28KN	16KN	8KN
VQC-160	60KN	46KN	32KN	18KN	10KN
VQC-160L	60KN	46KN	32KN	18KN	10KN
VQC-200L	60KN	46KN	32KN	18KN	10KN



VICE JAWS CAN TURN 180° FOR YOUR REQUIREMENT.

DRIVING
TOGGLE JOINT MECHANISM
DESIGN FOR HEAVY DUTY
WORKING

**HEAVY DUTY
EURO STYLE**



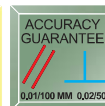
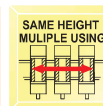
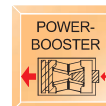
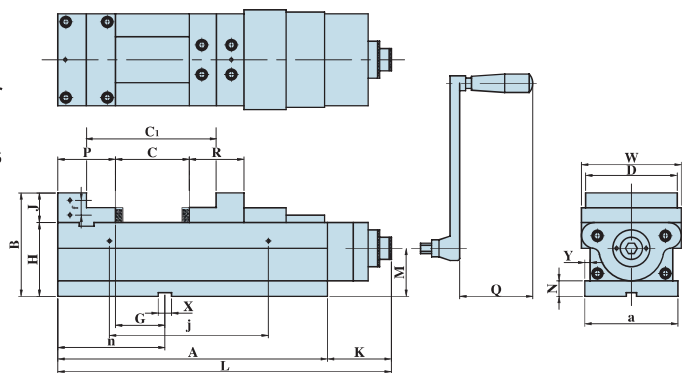
Driving device
Toggle joint device mechanism

Features

- Compact design. Great clamping capacity & rigid.
- "Toggle joint mechanism". Provides a steady clamping force against shocks and vibrations during the operations, since it clamps the workpiece resiliently with an aid of the "disc-springs" mounted inside.
- Strong clamping force.
- Large jaw stroke range.
- Exclusive Power Vise provide same height same position for horizontal and vertical MC, NC, Machine.
- Body is made of FCD60 high quality ductile cast iron, resists deflection or bending.
- Sliding bed ways flame hardened and ground.
- Concealed spindle for protection against chips and dirt.
- Quick of clamping & locking and easy of operation.

L TYPE IS ULTRA OPEN TYPE

ORDER NO.	JAW J	JAW Open		B	MAX. Clamping Force (KN)	G.W. kg
		C	C1			
VQC-100LC	35	128	196	120	30	16.34
VQC-125LC	40	205	283	140	40	40.4
VQC-160LC	50	275	361	165	60	72.3
VQC-1602LC	50	355	455	165	60	78.58
VQC-2002LC	70	405	505	190	60	108



ORDER NO.	A	B	a	D	P	R	G	H	J	K	L	M	N	Q	W	X	Y	C OPEN	C1 OPEN	f	j	n	CODE NO.
VQC-100LC	273	120	105	99	73	64	38.5	85	35	82.5	356.5	50	15	74	110	14	6.5	128	196	20	105	112	4005-004LC
VQC-125LC	365	140	126	124.5	78	74	66	100	40	86.5	451.5	65	21	73	135	18	7	205	283	20	215	145	4005-005LC
VQC-160LC	455	165	161	159.5	86	86	58	120	50	98.5	553.5	78	21	93	170	18	7	275	361	20	285	145	4005-006LC
VQC-1602LC	535	165	162	160	86	86	58	120	50	98.5	633.5	78	21	93	174	18	7	355	455	20	285	145	4005-007LC