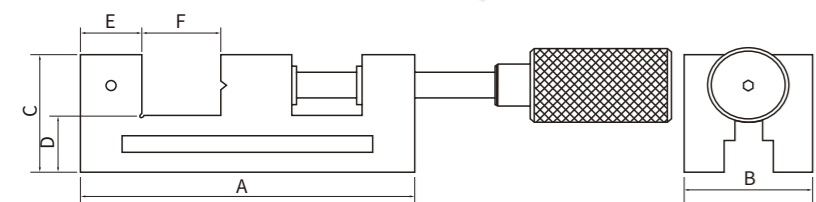
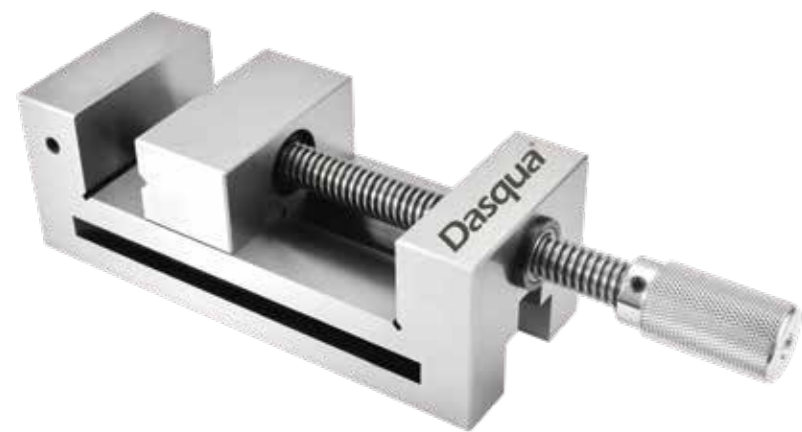


PRECISION TOOLMAKERS VICE-SCREW GUIDE TYPE

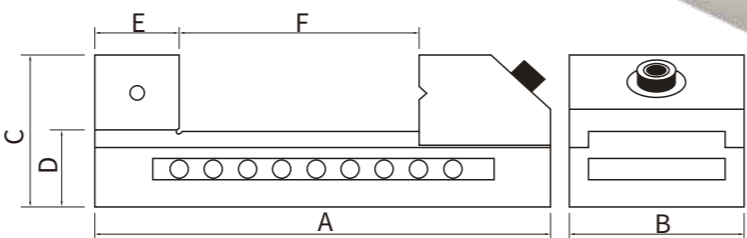
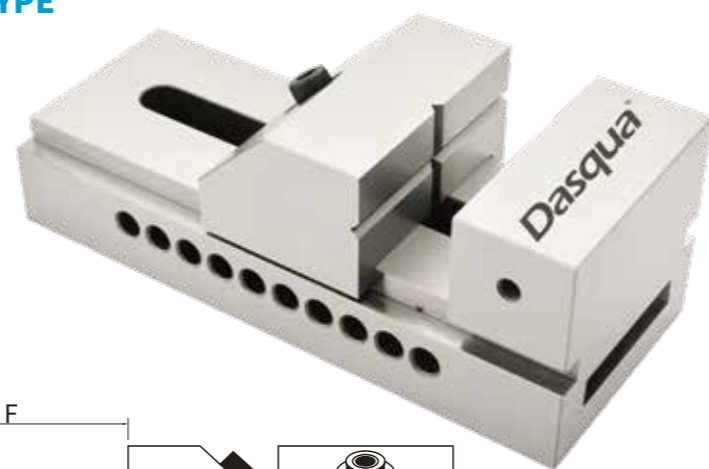


- Hardened and stabilized
- Precision ground to a mirror finish
- Squareness of the vice is within 0.005mm and parallelism of the vice is within 0.003mm on all critical sides
- Horizontal and Vertical V moveable jaws are provided for holding the round/square part
- Jaw pressure on workpiece is forward and downward for repeatable positioning and maximum holding power
- Particularly suitable for erosion work
- Can be used on base, either side, end and top

Unit:mm

Code	A	B	C	D	E	F	Weight
8802-5105	156	50	52	27	25	0-63	2.3kg
8802-5110	176	63	63	33	30	0-73	4.0kg
8802-5115	190	73	73	38	35	0-76	5.5kg
8802-5120	255	100	82	42	40	0-120	11.0kg

PRECISION TOOLMAKERS VICE QUICK ACTION TYPE

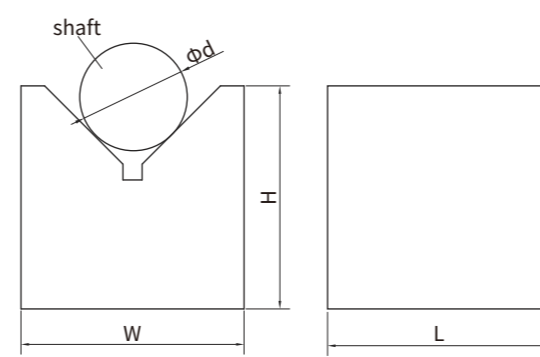


- Hardened and stabilized.
- Precision ground to a mirror finish
- Squareness of the vice is within 0.005mm and parallelism of the vice is within 0.003mm on all critical sides
- Positive download and rapid positioning notches for free Jaw movement
- Horizontal and Vertical V moveable jaws are provided for holding the round/square parts
- Locking Screw provided at the Vice base for adjustable positions of the moveable Jaw
- The rapid positioning notches allow the vice to be locked in any position by means of an allen key provided with the vice
- Jaw pressure on work piece is forward and downward for repeatable positioning and maximum holding power
- Particularly suitable for erosion work
- Can be used on base, either side, end and top

Unit:mm

Code	A	B	C	D	E	F	Weight
8802-1105	150	50	53	28	30	0-80	1.6kg
8802-1110	175	63	63	31	35	0-90	2.9kg
8802-1115	190	73	70	35	35	0-100	4.3kg
8802-1120	245	100	90	45	45	0-130	10kg

GRANITE V-BLOCK SET



- Ideal for testing cylinder
- Made of granite, hard and no rusty, no dimensional change over time or temperature change
- With V-cut 90°, finely ground
- Side- and front-faces angular ground in regard to base area
- Supplied in matched pair

Unit:mm

Code	L x W x H	Range of shafts(φd)	Parallelism of V groove to bottom	Height difference of a matched pair	Grade
8321-1005	70x50x70	5-45	0.003	0.003	00
8321-1010	100x50x70	5-45	0.004	0.003	00

V-BLOCK & CLAMP SET



- Made of premium hardened steel, stress-relieved and precision ground in pairs
- Flatness and parallelism ±0.01mm
- V-angle 90° clamping brackets can be used to check cylindrical precision machined parts
- Contact faces are ground and lapped

Unit:mm

Code	Clamping Range	H	W	L
8101-0005	6-30	36	40	45
8101-0010	6-32	40	45	70
8101-2005	1"	1-3/8"	1-3/4"	1-5/8"
8101-2010	1-1/2"	1-5/8"	1-3/4"	2-3/4"
8101-2015	1-1/2"	1-3/4"	2-1/2"	2-3/4"
8101-2020	2-1/8"	2-3/4"	3-1/2"	4-7/8"