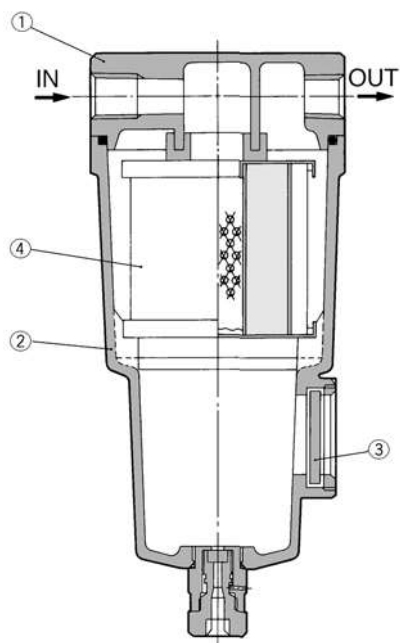


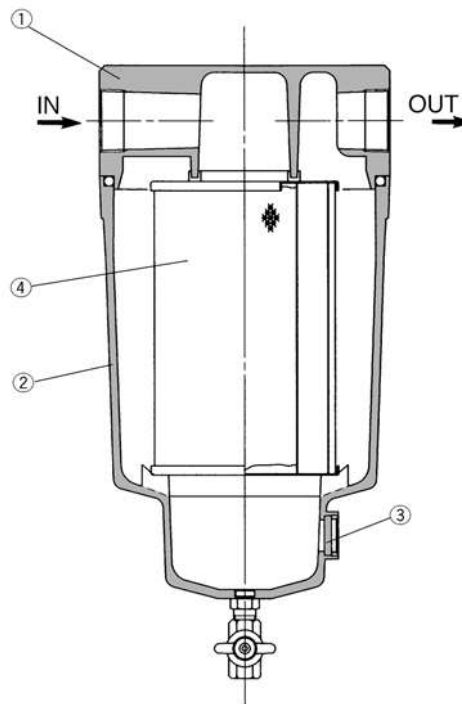
# Series AFF

## Construction

AFF2B to AFF37B



AFF75B



### Component Parts

No.	Description	Material	Remark
①	Body	Aluminum die cast	Chromate treatment, Epoxy coating on inner surface
②	Housing	Aluminum die cast*	
③	Sight glass	Tempered glass	

\*Aluminum casting for AFF75B



Note: Construction shows sight glass, but mounting position is different from actual position. Please refer to p.4.4-5 and 4.4-6 for more details.

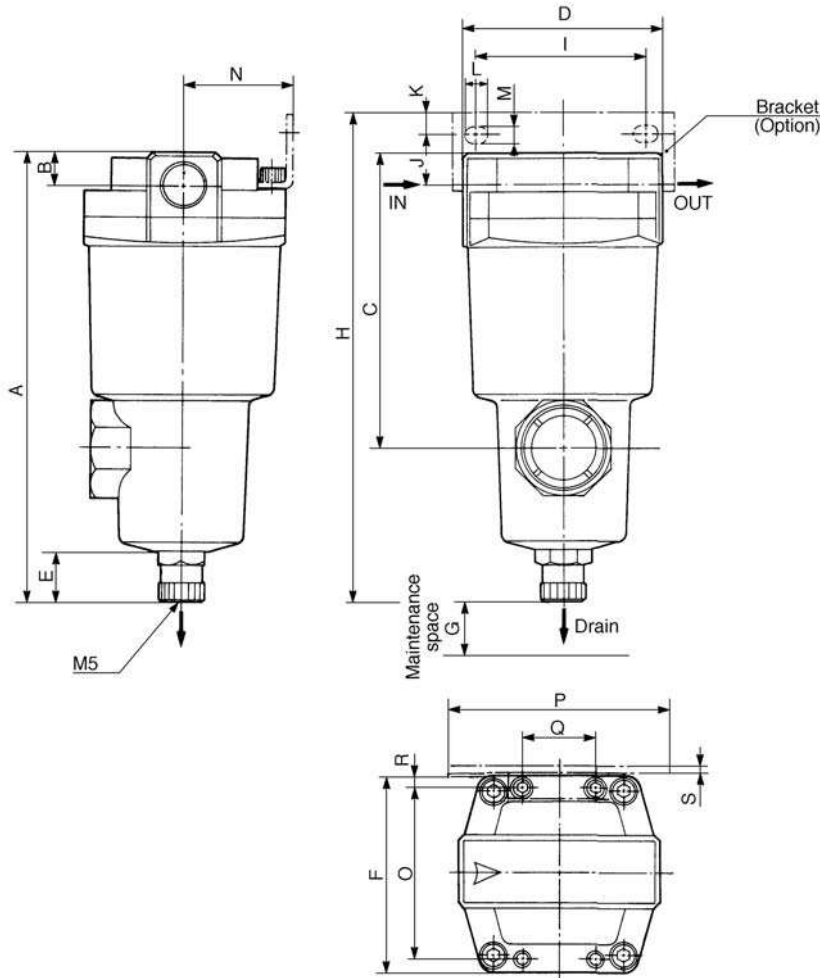
### Replacement Parts

No.	Description	Material	Model						
			AFF2B	AFF4B	AFF8B	AFF11B	AFF22B	AFF37B	AFF75B
④	Element assembly	Cotton paper NBR	AFF-EL2B	AFF-EL4B	AFF-EL8B	AFF-EL11B	AFF-EL22B	AFF-EL37B	AFF-EL75B

\*With gasket, With O ring

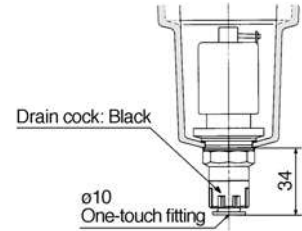
# Main Line Filter Series *AFF*

## AFF2B to AFF37B Dimensions

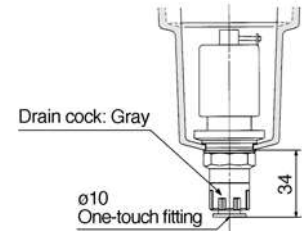


### Accessories

**D: With auto drain (N.O. style)**



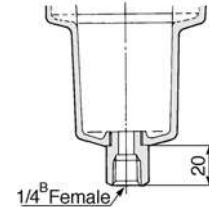
**C: With auto drain (N.C. style)**



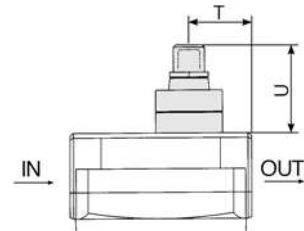
\*N.C. style of AFF 37B is not applicable.

### Optional Specifications

**J: With drain guide**



**T: Element service indicator**



Model	Port size (Nominal size B)	A	B	C	D	E	F	G	Mounting dimensions											Element Service Indicator		
									H	I	J	K	L	M	N	O	P	Q	R	S	T	U
<b>AFF2B</b>	1/8, 1/4, 3/8	159	13	100	63	20	63	10	166	56	15	5	9	5,5	35	54	70	26	4,5	1,6	24	37
<b>AFF4B</b>	1/4, 3/8	172	13	113	76	20	76	10	187	66	20	8	12	6	40	66	84	28	5	2,0	27	37
	1/2	178	16	119	76	20	76	10	187	66	17	8	12	6	40	66	84	28	5	2,0	27	37
<b>AFF8B</b>	3/8, 1/2	204	16	145	90	20	90	10	218	80	22	8	14	7	50	80	100	34	5	2,3	32	37
	3/4	210	19	151	90	20	90	10	218	80	19	8	14	7	50	80	100	34	5	2,3	32	37
<b>AFF11B</b>	1/2, 3/4	225	19	166	106	20	106	10	241	90	25	10	14	9	55	88	110	50	9	3,2	37	37
	1	232	22	173	106	20	106	10	241	90	21	10	14	9	55	88	110	50	9	3,2	37	37
<b>AFF22B</b>	3/4, 1	259	22	200	122	20	122	10	277	100	30	10	16	9	65	102	130	60	10	4,5	39	37
<b>AFF37B</b>	1, 1 1/2	311	32	253	160	20	160	10	334	150	40	15	20	11	85	136	180	76	12	4,5	55	37

HA

ID

AMG

**AFF**

AM

FQ1

Related products