



# Oil Mist Collector

A photograph of a modern, blue industrial building with the CLEARMiST logo illuminated on its facade. The building has large windows and a clean, professional appearance.

CLEARMiST



**UK Brand**  
**ISO International Quality System Certification**

Trusted by manufacturers around the world

Clearmist oil mist collector, applying the latest oil mist treatment technology in Europe, is characterized by small size, large air volume and easy maintenance, removing oil mist, smoke and steam from thousands of manufacturing industries around the world.

**Compact/Quiet/Efficient**



## Why Use Clearmist Oil Mist Collector



- Oil mist is a health hazard.
- Oil mist can cause slippery ground, damage electrical switches and circuits, and result in short circuits.
- Oil mist will cause the inner wall of the exhaust ventilation pipe inside the workshop to be covered with oil coating, which has potential fire hazards.
- Governments around the world are getting stricter about oil mist.
- Clearmist oil mist collector helps to reduce energy consumption and heating costs by emitting clean air directly inside the workshop. The filter pad rotates at high speed and can be used for a longer time with very low maintenance costs.

## Working Principle of Clearmist Oil Mist Collector



- (1) The oil mist is removed and eliminated from the source of the oil mist
- (2) Dynamic centrifugal, the filter pad rotates at high speed and so could be used for a longer time
- (3) The clean oil is returned to the machine through the return pipe
- (4) Clean air comes out of the top and returns to the workshop
- (5) Depending on working conditions, after filter is an option for further removing the oil mist

## Clearmist UK Technology

- There are four specially designed blades on the inner wall of the drum, which rotates at high speed, and the oil mist is sucked into the drum, colliding with the blade at high speed to condense the oil mist.
- Drum pad composed of special material and structure could filter solid particles and reduce noise.
- Centrifugal force pushes the oil out of the oil mist collector, allowing it to flow back to the machine for reuse or collection.
- Clean air is returned to the workshop through the top of the oil mist collector.



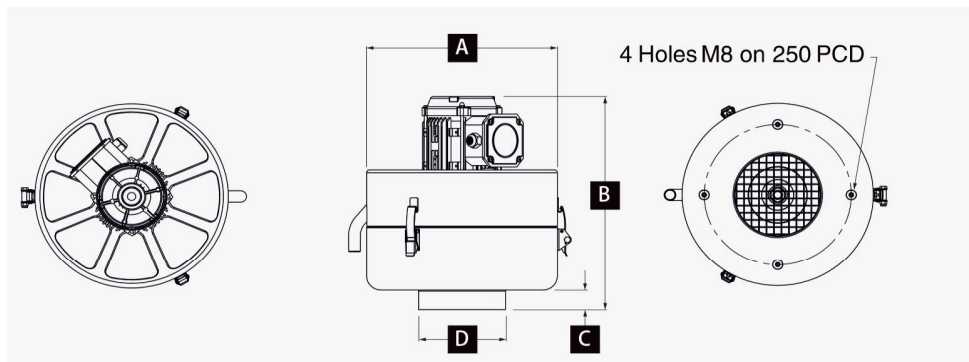


## Oil Mist Collector Selection

### 01 C SERIES



#### Compact C Series with airflow from 180m<sup>3</sup>/hr to 950m<sup>3</sup>/hr

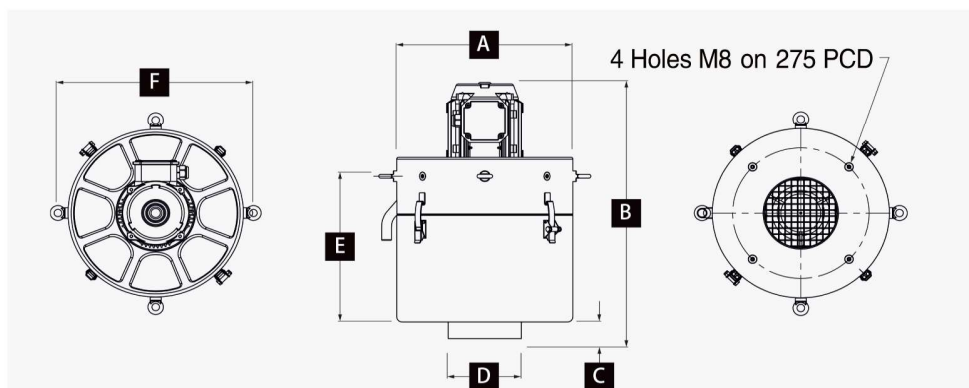


Model	Airflow m <sup>3</sup> /hr	Motor		A mm	B mm	C mm	D mm	Weight kg	Noise dBA
C400	425 @ 50Hz 500 @ 60Hz	0.55kW 50Hz	0.55kW 60Hz	325	381	35	148	14	50
		200v, 220v, 380v, 400v, 415v	220v, 230v, 240v, 440v, 460v, 480v						
C800	800 @ 50Hz 950 @ 60Hz	0.55kW 50Hz	0.55kW 60Hz	325	435	35	148	18	50
		200v, 220v, 380v, 400v, 415v	220v, 230v, 240v, 440v, 460v, 480v						

### 02 CM & CL SERIES



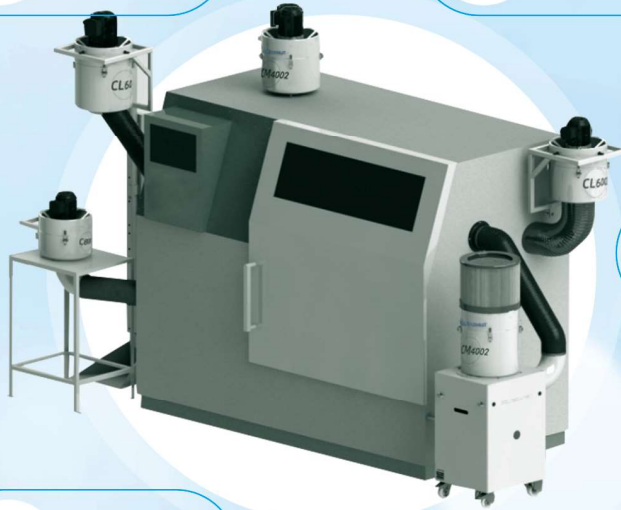
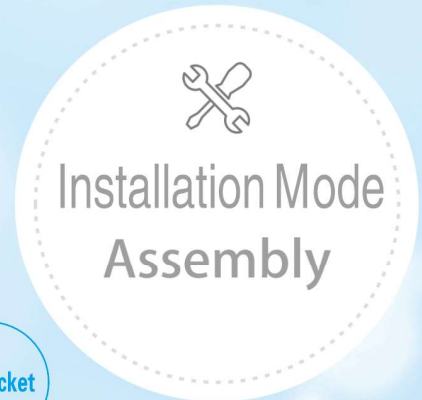
#### CM&CL series with air flow from 1250m<sup>3</sup>/hr to 2750m<sup>3</sup>/hr



Model	Airflow m <sup>3</sup> /hr	Motor		A mm	B mm	C mm	D mm	E mm	F mm	Weight kg	Noise dBA
CM400Z	1250 @ 50Hz 1500 @ 60Hz	1.1kW 50Hz	1.5kW 60Hz	357	544	35	148	309	398	26	65
		200v, 220v, 380v, 400v, 415v	200v, 220v, 230v, 440v, 460v, 480v								
CM500Z	1675 @ 50Hz 2000 @ 60Hz	1.5kW 50Hz	2.2kW 60Hz	357	634.5	35	198	378	398	32	66
		200v, 220v, 380v, 400v, 415v	200v, 220v, 230v, 440v, 460v, 480v								
CL700Z	2750 @ 50Hz	2.2kW 50Hz	N/A	438	638.5	35	198	432	485	37	70







### ◆ Direct Mounting

Clearmist oil mist collector's compact and lightweight design allows it to sit directly on top of the enclosed machine, saving room space in the workshop and reducing stent costs.

### ◆ Floor Stand

Clearmist oil mist collector, can be equipped with stretchable floor stand, with a segmented structure, easy to transport. The height of the stand is adjustable, and the base of the stand is pre-drilled and can be bolted to the workshop floor.

### ◆ Machine Side Bracket

The side bracket is designed to be mounted directly onto the side of the machine and is particularly suitable for the compact footprint. All installations take into account the location, applying, the ease of maintenance, and the size of the oil mist collector.





## Accessories

**Clearmist has a large selection of auxiliary accessories**

### C-FUSION After Filter

C-FUSION after filter is a cost-effective solution for removing sub-micron oil mist particles from the air of the workshop under high pressure pure oil conditions, using high-tech automatic drainage filter materials and Clearmist's proven centrifugal technology.



**Compact design/Economical/Long service life/  
Efficient/Focus on high pressure pure oil solutions**

### Oil and Odor Removal After Filter

Clearmist provides customers with an all-in-one oil and odor removal after filter for different application conditions that removes both oil mist and odors associated with specific types of oil.



### High Efficiency After Filter

High efficiency after filters are used to remove the residue of oil fumes and oil mist particles. As a supplement to the Clearmist oil mist collector, it is particularly suitable for applications where the exhaust mist needs to be thoroughly cleaned before returning to the workshop.



### Maintenance Kit

Clearmist offers a range of easy-to-install, low-cost maintenance and repair kits.

Clearmist authentic drum pads use high-tech filtration materials. This special structure provides a larger surface area and is self-absorbing & self-discharging.

Please always use Clearmist official spare parts to ensure your oil mist collector maintains optimum performance.



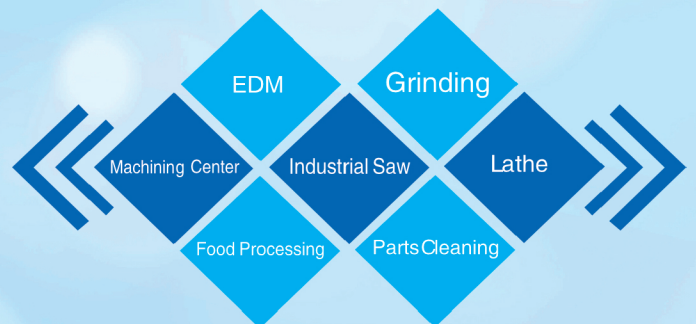
## European Technology Serving the World

Clearmist applies the UK's new generation of oil mist treatment technology to serve the global market. Clearmist oil mist collectors are used in thousands of machining applications – from high-precision CNC machining centers to traditional open grinding machines. Dozens of mounting accessories, from aviation and automotive to food processing and medical equipment, provide customized solutions to oil mist problems in a variety of manufacturing processes.



## Clearmist Some Customers

Mazak	GOODWAY
Okuma	HEADMAN
Brother	CHNCIT
Hyundai Wia	Maxsin
DMG	QCMTT
TSUGAMI	Ning Jiang



## Sales Consulting

### SEC CO.,LTD

✉ [sales@sec-vn.com](mailto:sales@sec-vn.com)

☎ 0935921658

