



Part of Absolent
Air Care Group

Oil Mist Collectors



Trusted by world leading manufacturers since 1969

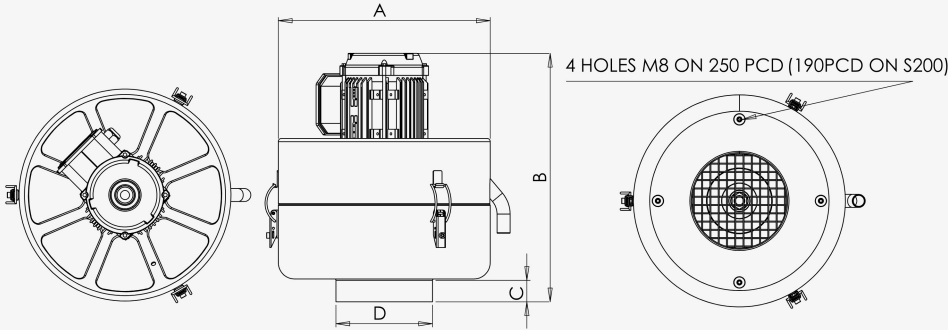
Filtermist units efficiently remove oil & coolant mist, fume and steam in thousands of manufacturing operations around the world

Compact | Quiet | Efficient



Protecting People
Cleaner, safer, more

S SERIES

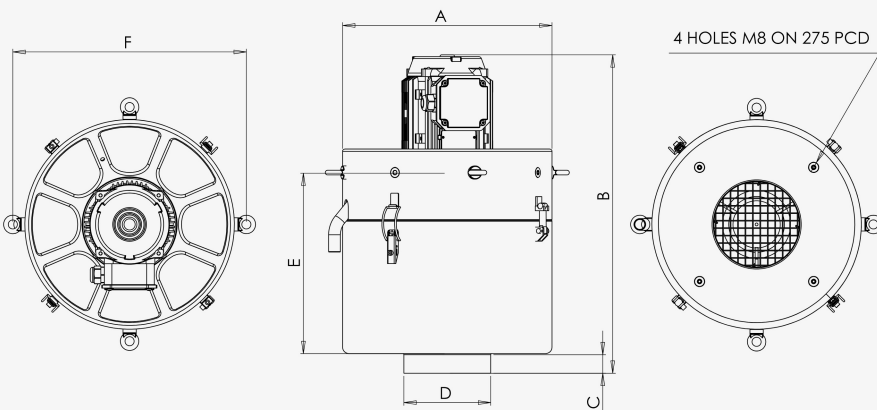


The compact S series with airflows from 180m³/hr to 950m³/hr



Model	Airflow m ³ /hr	Motor ¹		A mm	B mm	C mm	D mm	Weight kg	Noise ² dBA
S200	180 @ 50Hz 215 @ 60Hz	0.18kW 50Hz 200v, 220v, 380v, 400v	0.18kW 60Hz 200v, 220v, 230v, 440v, 460v, 480v	260	302	30	73	9	62
S400	425 @ 50Hz 500 @ 60Hz	0.55kW 50Hz 200v, 220v, 380v, 400v	0.55kW 60Hz 200v, 220v, 230v, 440v, 460v, 480v	325	381	35	148	14	65
S800	800 @ 50Hz 950 @ 60Hz	0.55kW 50Hz 200v, 220v, 380v, 400v	0.55kW 60Hz 200v, 220v, 230v, 440v, 460v, 480v	325	435	35	148	15	67

FX SERIES



The Filtermist FX series has four models with airflows from 1250m³/hr to 2750m³/hr



Model	Airflow m ³ /hr	Motor ¹		A mm	B mm	C mm	D mm	E mm	F mm	Weight kg	Noise ² dBA
FX4002	1250 @ 50Hz 1500 @ 60Hz	1.1kW 50Hz 200v, 220v, 380v, 400v	1.1kW 60Hz 200v, 220v, 230v, 440v, 460v, 480v	357	544	35	148	309	398	25.8	70
FX5002	1675 @ 50Hz 2000 @ 60Hz	1.5kW 50Hz 200v, 220v, 380v, 400v	1.5kW 60Hz 200v, 220v, 230v, 440v, 460v, 480v	357	634.5	35	198	378	398	31.8	71
FX6002	2000 @ 50Hz 2400 @ 60Hz	2.2kW 50Hz 200v, 220v, 380v, 400v	2.2kW 60Hz 220v, 230v, 440v, 460v, 480v	438	638.5	35	198	432	485	36.8	73
FX7002	2750 @ 50Hz	2.2kW 50Hz 200v, 220v, 380v, 400v	-	438	638.5	35	198	432	485	36.8	73

